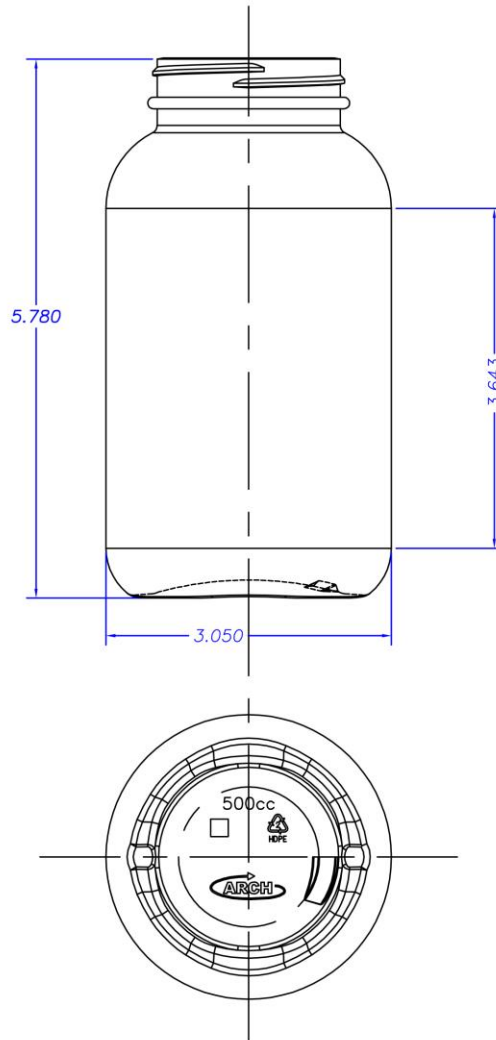


Date Created: 3/16/23

500cc HDPE Round

Bottle Data Sheet



ARCH # 004211-XXXX
MOLD # 14118-N (Total 8 cavities)
RESIN & COLORANT: FDA COMPLIANT
OVERFLOW CAPACITY: 570ml
HEIGHT: 5.780 ± 0.050 Inch
WEIGHT: 36.7 ± 2.5g
DIAMETER: 3.050 ± 0.060 Inch
NECK FINISH: M53SP400

BOTTLE PER BOX: 160 (LAYERED PACK)
BOTTLE PER PALLET: 3,200
BOTTLE PER 53' TRUCK: 86,400
PALLET WEIGHT: 360 lbs
STOCK COLORS: White